



Made in the USA

Brooklyn Wall Mount Towers
CTW3P[X]-GL : Chrome Contact
CTW3P[X]SS-GL : SS Contact

[X]: Number of Faucets
 SS: All SS304 Contact
 GL: Glycol Ready

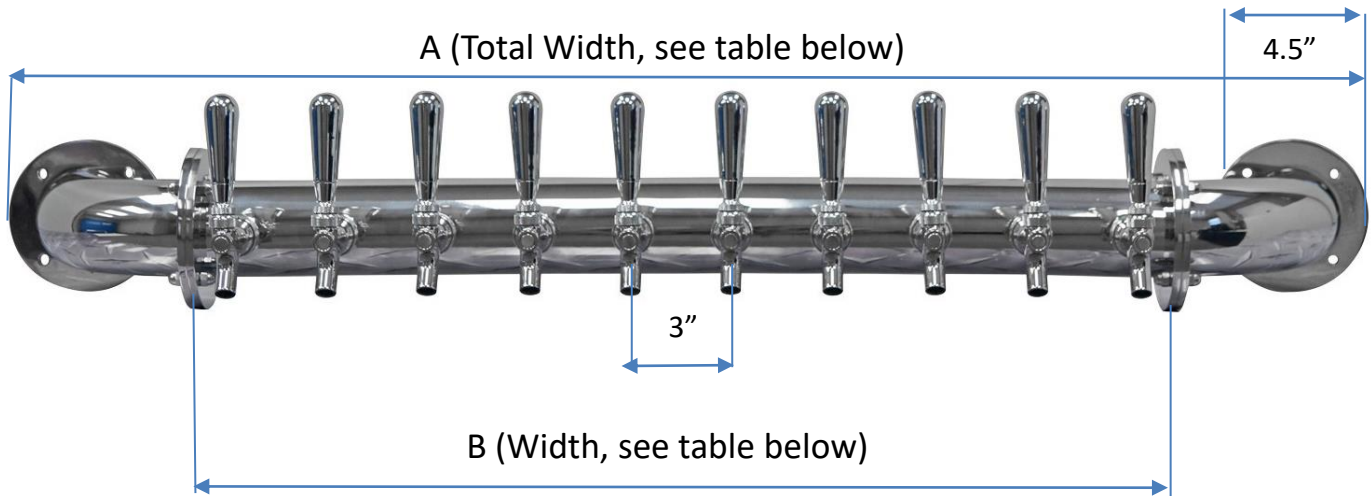
Body : 3" Diameter Pipe, Polished Stainless Steel

Flanges : 4.5" diameter

Product Lines : 304 grade SS with 1/4" barb

Restriction : See table below.

Glycol Lines : 3/8" OD Copper with 3/8" Barbs - See table below



Faucets	Restriction	Glycol	A (Total Width)	B (Width)
4 Faucets	3.6 pounds	1 Loop (2 connections)	23 1/2"	12"
5 Faucets	3.6 pounds	1 Loop (2 connections)	26 1/2"	15"
6 Faucets	3.6 pounds	1 Loop (2 connections)	29 1/2"	18"
8 Faucets	Line 1-3: 4.8 lbs Others: 3.6 lbs	1 Loop (2 connections)	35 1/2"	24"
10 Faucets	3.6 pounds	2 Loops (4 connections)	41 1/2"	30"
12 Faucets	3.6 pounds	2 Loops (4 connections)	47 1/2"	36"
16 Faucets	Line 6-11: 4.8 lbs Others: 3.6 lbs	2 Loops (4 connections)	59 1/2"	48"